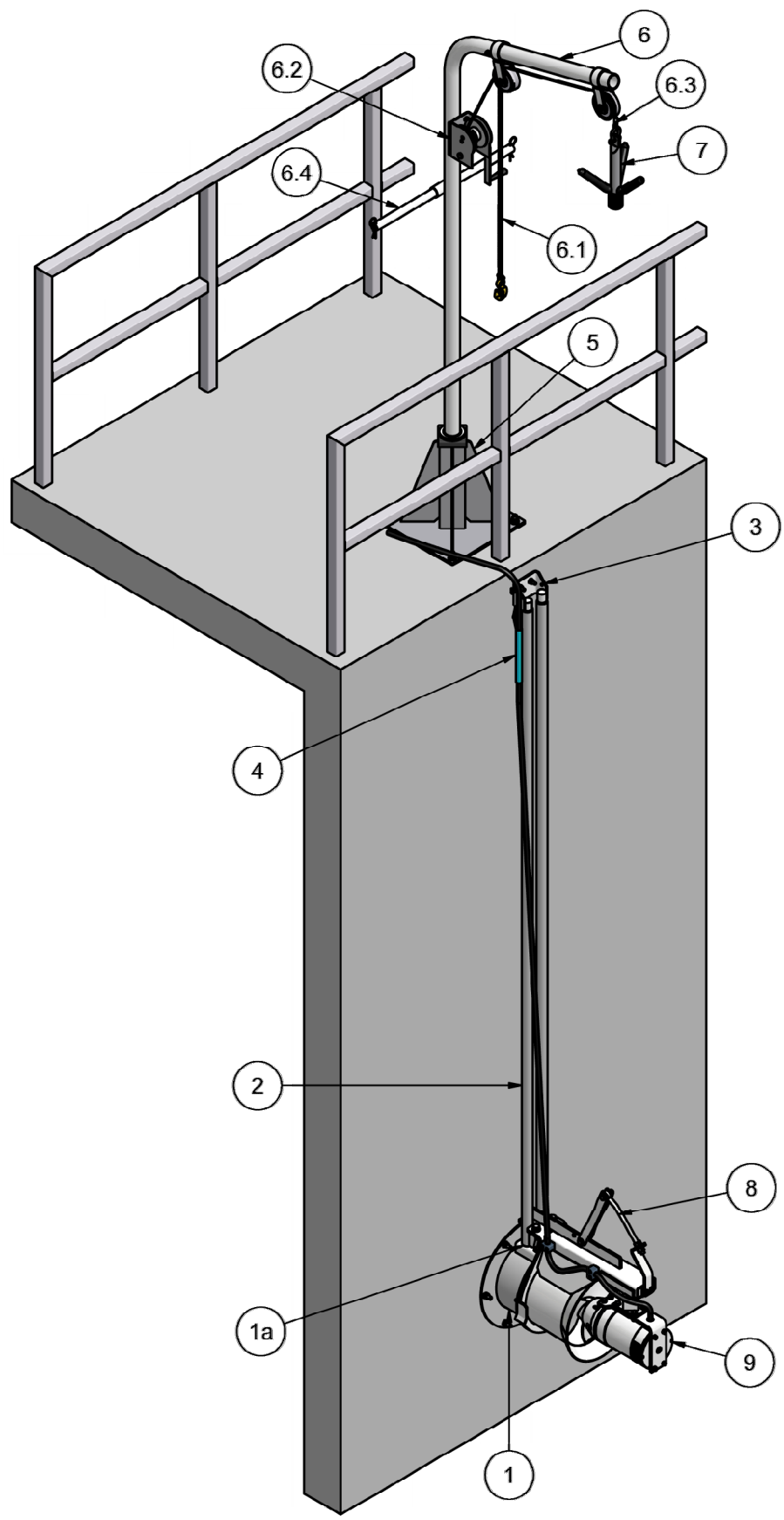
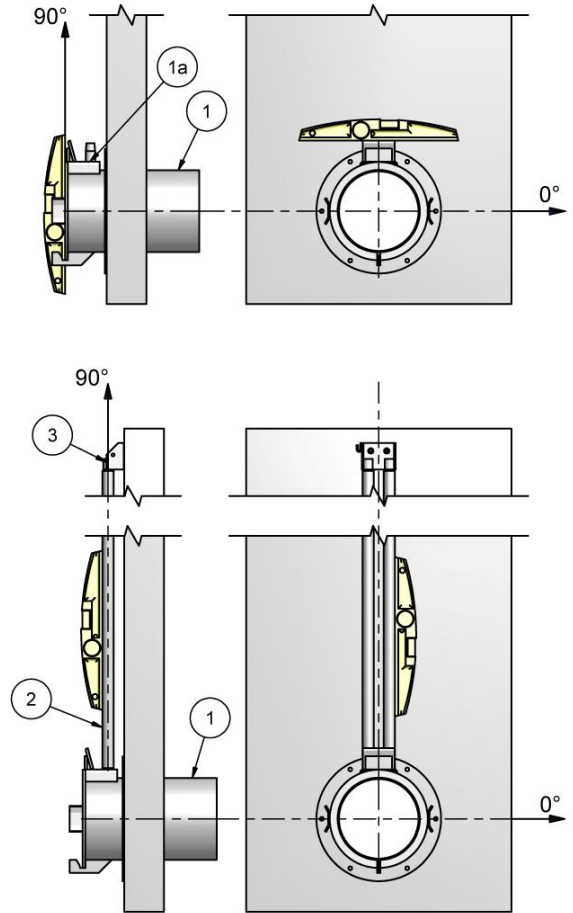
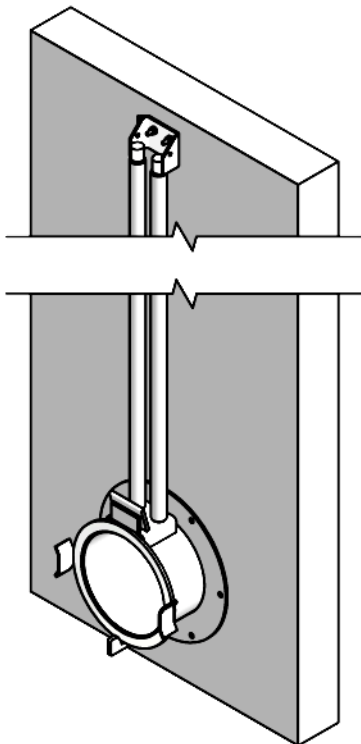
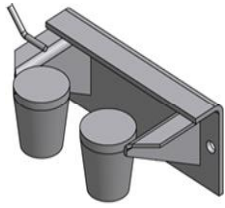


Sketch of a reci-pump installation.

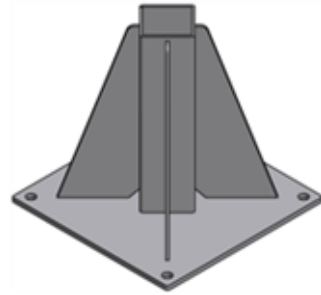


Some drawings from the manual over reci-pumps.





Upper holder



Bracket for crane.

