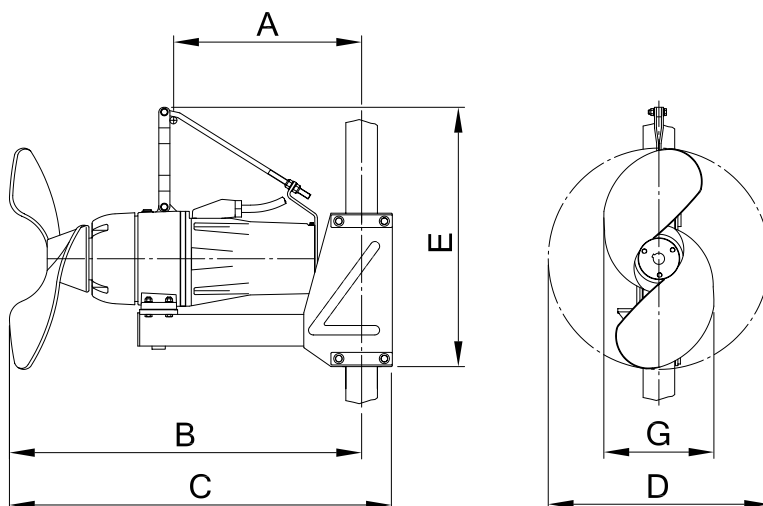


# Agitator OMPG S132 - technical information



TYPE	P2 kW	Amp.	n1 min <sup>-1</sup>	n2 min <sup>-1</sup>	A mm	B mm	C mm	D mm	E mm	G mm	H kg	Q m <sup>3</sup> /s
OMPG S132-5,5kW-2S or 2R	5,5	12,5	1500	350	540	1123	1220	600	820	360	223	0,83
OMPG S132-7,5kW-2S or 2R	7,5	15,2	1500	350	540	1123	1220	640	820	360	229	0,97

Voltage	: 3x400V / 50Hz / 4-pole
Cable	: 8 m H07-RNF 12x2,5mm <sup>2</sup>
Insulation class	: F, 155°
Motor safety	: IEC 34-5 IP58
Electrical safety	: 3 bimetallic sensors and leak sensor
Gear	: Planetary gear
Surface treatment	: Paint as standard or 2-comp. epoxy as extra charge
Start	: Star-delta
Motor casing	: GG20
Gear casing	: GG25
Propeller	: 2-bl. in st. 52-3 (2S) as standard or AISI 316 (2R) as extra charge
Motor shaft	: St. 52-3
Output shaft	: AISI 329
Sealing, motor side	: Carbon/Ceramic
Sealing, propeller side	: SiC/SiC
Fittings	: Galvanized steel or AISI 316

P2	Motor power
Amp.	Ampere input
n1	Motor rotations
n2	Propeller rotations
A	Length from centre of gravity to centre of mast
B	Length to centre of mast
C	Overall length
D	Propeller diameter
E	Total height
H	Weight incl. trap clamp and motor bracket
Q	Capacity - in water
CxG	Length and width at lowering

Can also be delivered as explosion proof (Ex d IIB T3)

The right to make alterations is reserved

BROCHURE\OMPG\II-S132-GB-R12

# LJM



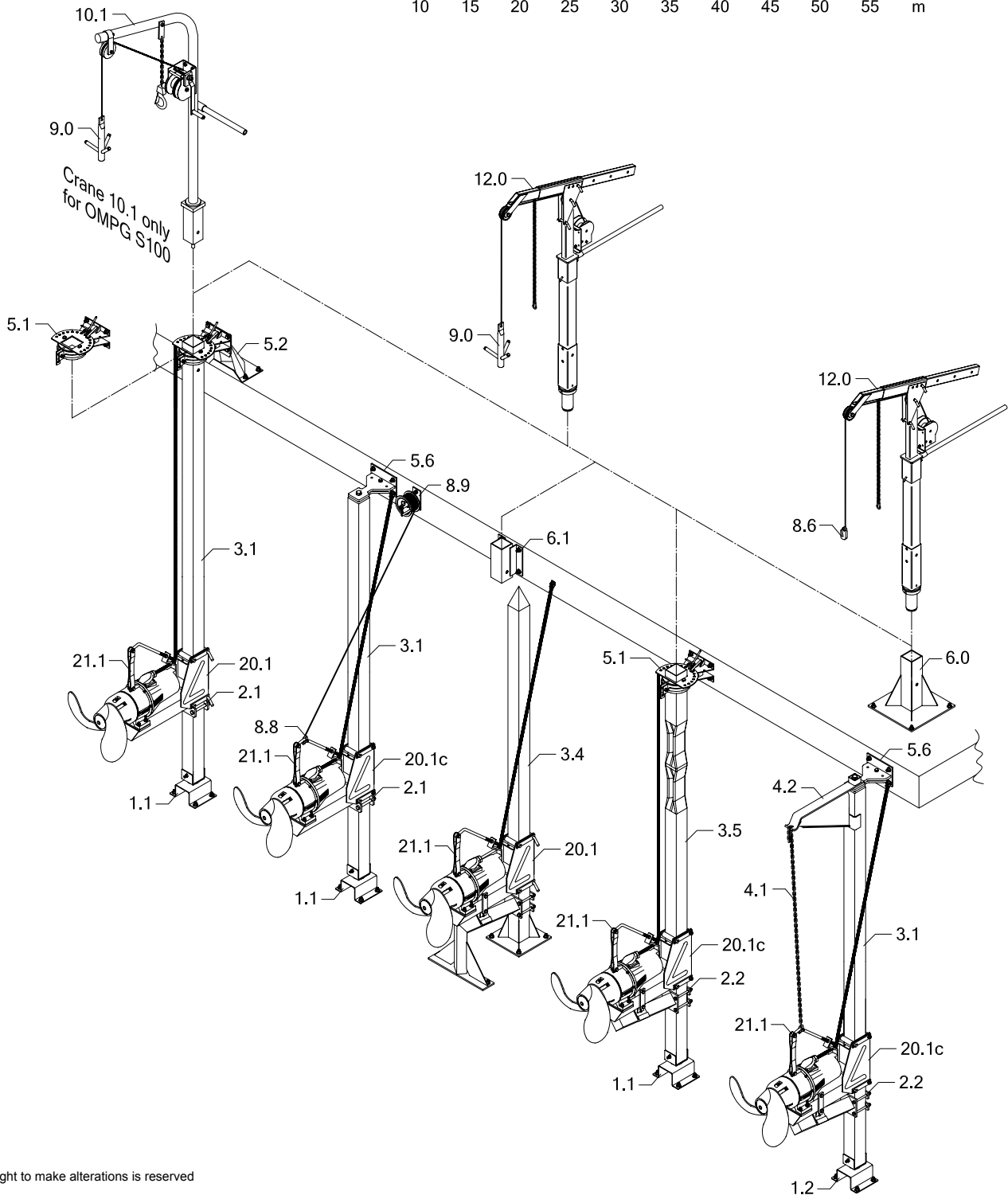
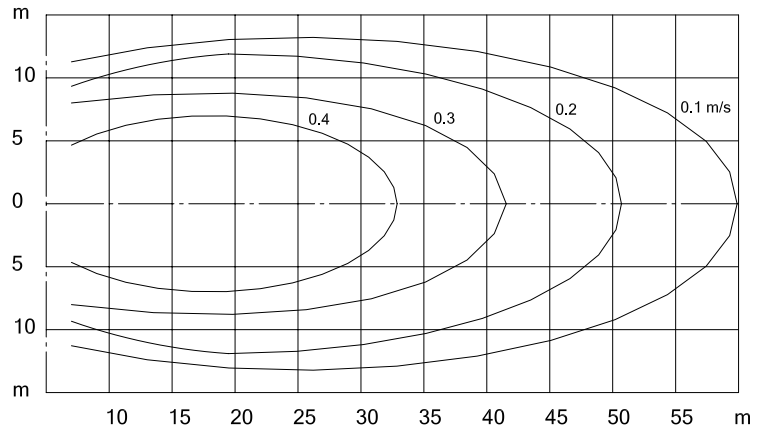
Lind Jensens Maskinfabrik A/S  
 Kroghusvej 7, Højmark, DK-6940 Lem St.  
 Tel.: +45 97 34 32 00 Fax: +45 96 74 42 98  
 E-mail: industri@ljm.dk Home page: www.ljm.dk



# Agitator OMPG S132 - technical information



The performance curve is only to be used as guidance



The right to make alterations is reserved