

Disc diffusers "OXYPLATE 2"

Membrane: EPDM

Perforation: Coarse bubble

Dimensions

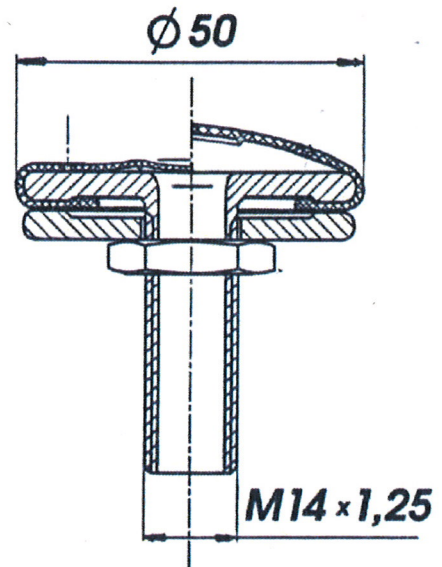
Diffuser diameter	mm	50
Membrane thickness	mm	1,0
Active surface	cm ²	10
Fastening on pipe system		
- External thread		M14 x 1,25
- Tight-seal rubber connector		DR-20



Performances

Recommended airflow	Nm ³ /h	4
Mix. operating flow	Nm ³ /h	0
Max. overload flow*	Nm ³ /h	8
Operating temperature	°C	5-80
Operation mode		Intermittent / continuous
Application		Municipal & industrial

* max. 10 min. for tests, etc..



Materials

Membrane	EPDM
Diffuser body	PP GF 30

