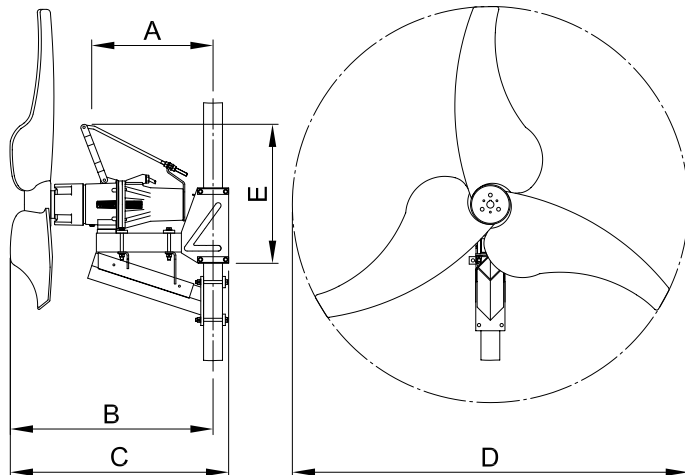
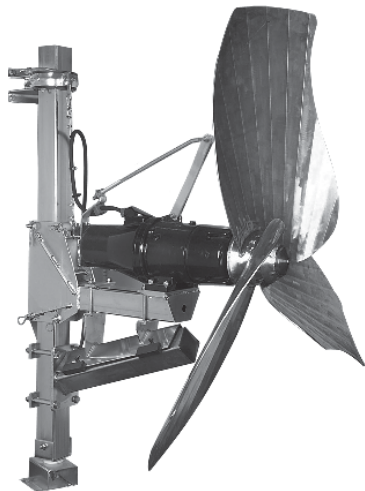


Flowmaker RVPG S132 - technical information



TYPE - SLOW SPEED	P2 kW	Amp.	n1 min ⁻¹	n2 min ⁻¹	A mm	B mm	C mm	D mm	E mm	H kg	Q m ³ /s
RVPG S132-5,5kW-3R	5,5	12,5	1500	43	685	1325	1425	2000	844	322	5,8

Voltage	: 3x400V / 50Hz / 4-pole
Cable	: 8 m H07-RNF 12x2,5mm ²
Insulation class	: F, 155°
Motor safety	: IEC 34-5 IP58
Electrical safety	: 3 bimetallic sensors and leak sensor
Gear	: Planetary gear
Surface treatment	: Paint as standard or 2-comp. epoxy as extra charge
Start	: Soft
Motor casing	: GG20
Gear casing	: GG25
Propeller	: 3-bl. in AISI 316 (3R)
Motor shaft	: St. 52-3
Output shaft	: AISI 329
Sealing, motor side	: Carbon/Ceramic
Sealing, propeller side	: SiC/SiC
Fittings	: Galvanized steel or AISI 316

P2	Motor power
Amp.	Ampere input
n1	Motor rotations
n2	Propeller rotations
A	Length from centre of gravity to centre of mast
B	Length to centre of mast
C	Overall length
D	Propeller diameter
E	Total height
H	Weight incl. trap clamp and motor bracket
Q	Capacity - in water

Can also be delivered as explosion proof (EEx d IIB T3)

The right to make alterations is reserved

BROCHURE\RVPG\I-S132-GB-R2

LJM



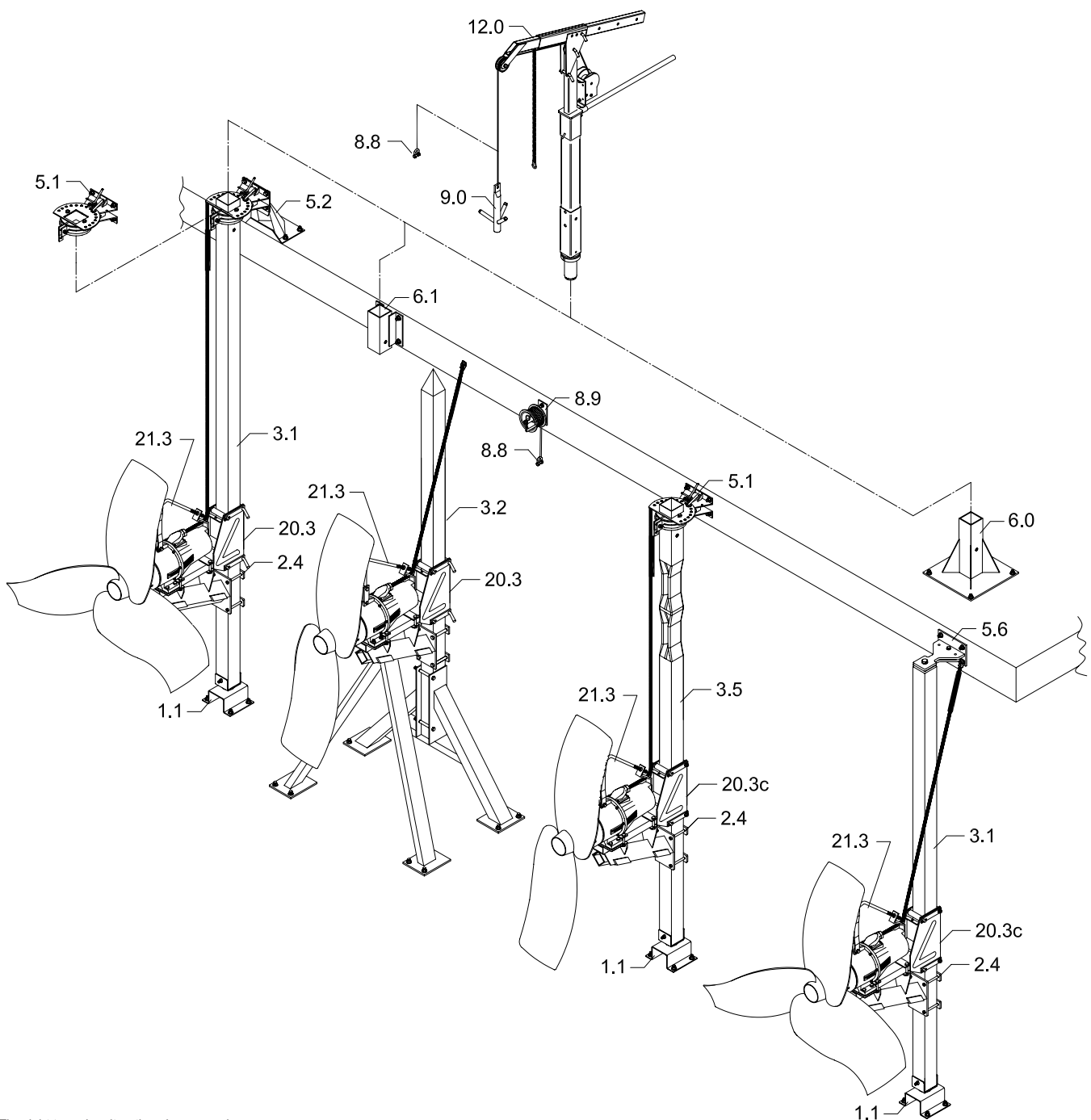
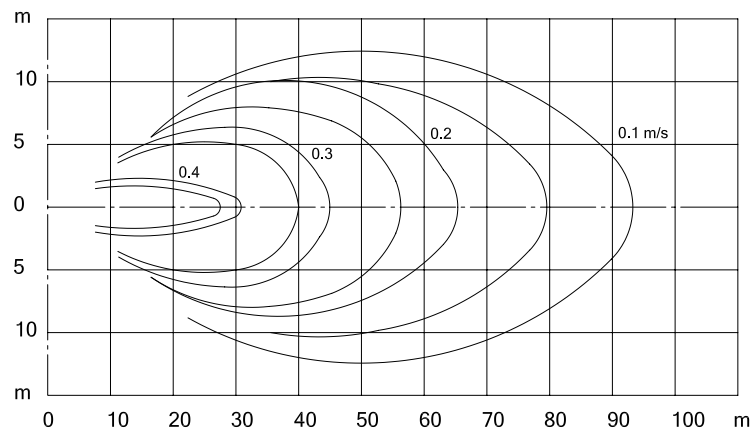
Lind Jensens Maskinfabrik A/S
 Kroghusvej 7, Højmark, DK-6940 Lem St.
 Tel.: +45 97 34 32 00 Fax: +45 96 74 42 98
 E-mail: industri@ljm.dk Home page: www.ljm.dk



Flowmaker RVPG S132 - technical information



The performance curve is only to be used as guidance



The right to make alterations is reserved