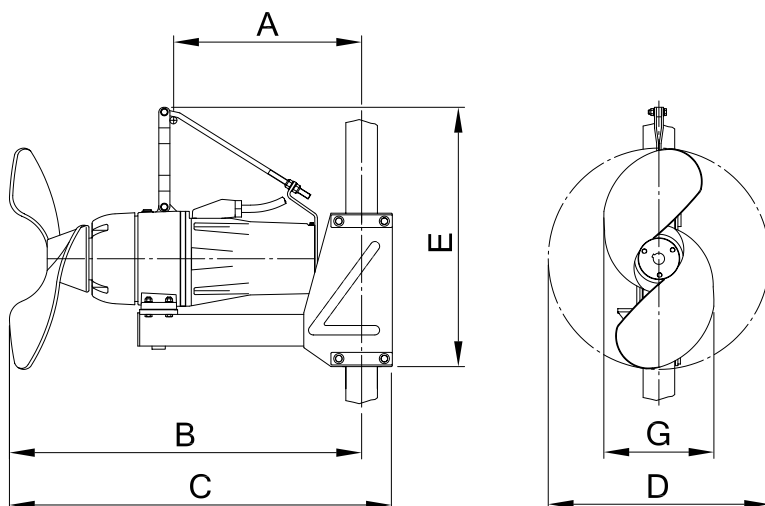


Agitator OMPG S100 - technical information



TYPE	P2 kW	Amp.	n1 min ⁻¹	n2 min ⁻¹	A mm	B mm	C mm	D mm	E mm	G mm	H kg	Q m ³ /s
OMPG S100-1,1kW-2S el. 2R	1,1	3,0	1500	222	450	988	1070	540	750	260	141	0,42
OMPG S100-1,5kW-2S el. 2R	1,5	3,9	1500	268	450	988	1070	540	750	260	136	0,47
OMPG S100-2,2kW-2S el. 2R	2,2	5,2	1500	268	450	978	1060	550	750	280	141	0,54
OMPG S100-3,0kW-2S el. 2R	3,0	7,2	1500	350	450	988	1070	540	750	260	138	0,62
OMPG S100-4,0kW-2S el. 2R	4,0	8,6	1500	350	450	978	1060	550	750	280	138	0,71

Voltage	: 3x400V / 50Hz / 4-pole
Cable	: 8 m H07-RNF 7x1,5mm ²
Insulation class	: F, 155°
Motor safety	: IEC 34-5 IP58
Electrical safety	: 3 bimetallic sensors and leak sensor
Gear	: Planetary gear
Surface treatment	: Paint as standard or 2-comp. epoxy as extra charge
Start	: DOL
Motor casing	: GG20
Gear casing	: GG25
Propeller	: 2-bl. in st. 52-3 (2S) as standard or AISI 316 (2R) as extra charge
Motor shaft	: St. 52-3
Output shaft	: AISI 329
Sealing, motor side	: Carbon/Ceramic
Sealing, propeller side	: SiC/SiC
Fittings	: Galvanized steel or AISI 316

P2	Motor power
Amp.	Ampere input
n1	Motor rotations
n2	Propeller rotations
A	Length from centre of gravity to centre of mast
B	Length to centre of mast
C	Overall length
D	Propeller diameter
E	Total height
H	Weight incl. trap clamp and motor bracket
Q	Capacity - in water
CxG	Length and width at lowering

Can also be delivered as explosion proof (Ex d IIB T4)

The right to make alterations is reserved

BROCHURE\OMPG\II-S100-GB-R14

LJM



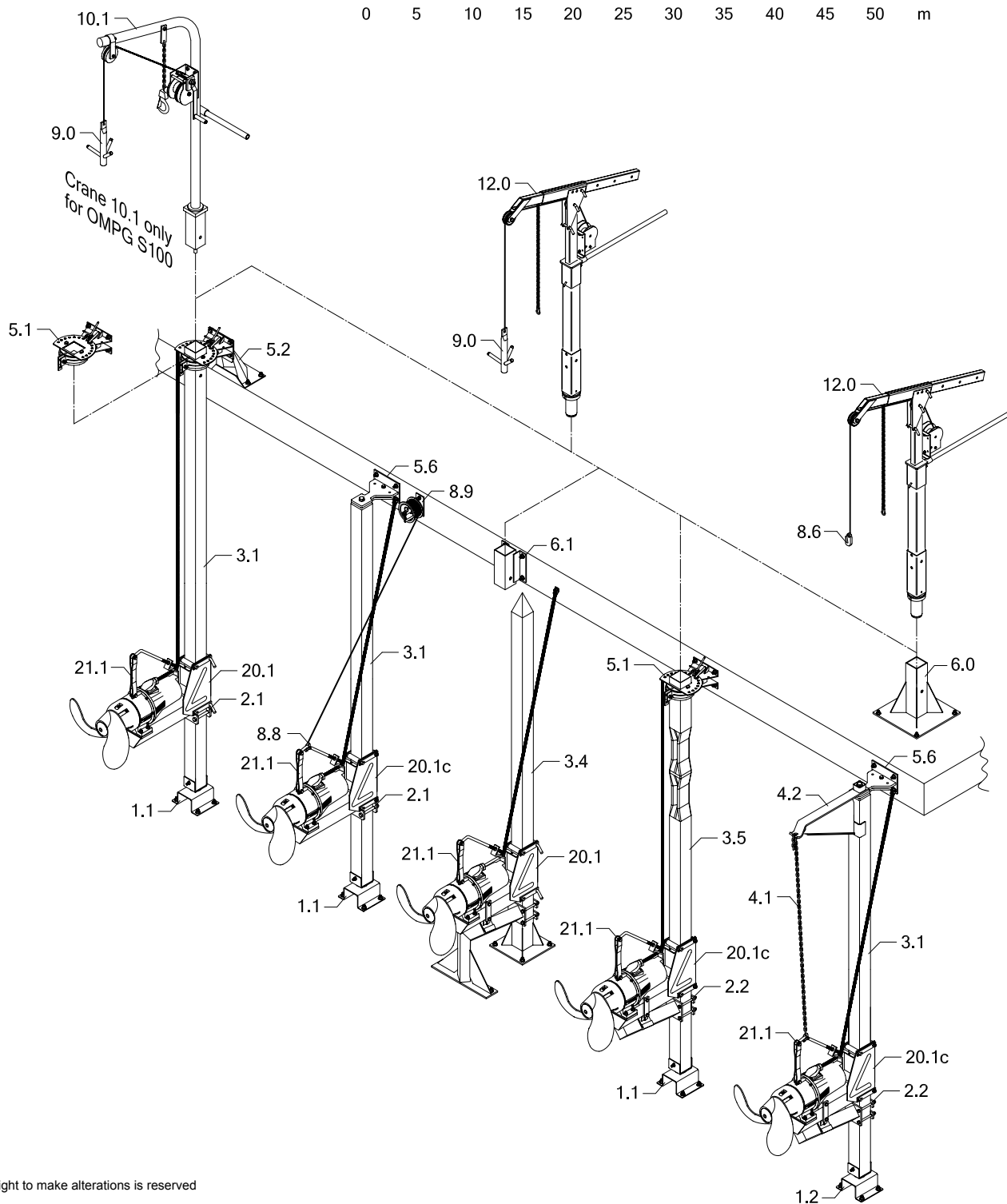
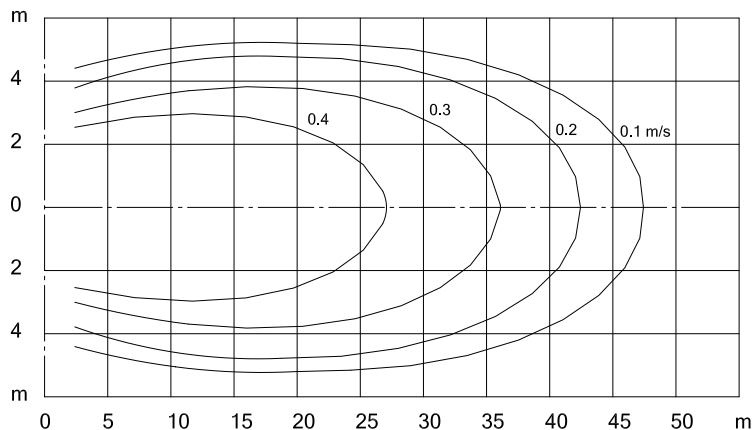
Lind Jensens Maskinfabrik A/S
 Kroghusvej 7, Højmark, DK-6940 Lem St.
 Tel.: +45 97 34 32 00 Fax: +45 96 74 42 98
 E-mail: industri@ljm.dk Home page: www.ljm.dk



Agitator OMPG S100 - technical information



The performance curve is only to be used as guidance



The right to make alterations is reserved